

MV-CS004-11GM/GC

0.4 MP 1/2.9" CMOS GigE Area Scan Camera



GEN*i*CAM

GigE
VISION

Introduction

MV-CS004-11GM/GC camera adopts Sony® IMX287 sensor to provide high-quality images. It uses GigE interface to transmit non-compressed images in real time, and its max. frame rate can reach 312.9 fps in full resolution.

Key Feature

- Adopts brand new design to reduce power consumption.
- Compact design with mounting holes on panels for flexible mounting from 4 sides.
- Supports sequencer, contrast ratio, Gamma correction, white balance, etc.
- Supports hard trigger, software trigger, free run, etc.
- Compatible with GigE Vision V2.0 Protocol, GenICam Standard, and third-party software based on the protocol and standard.

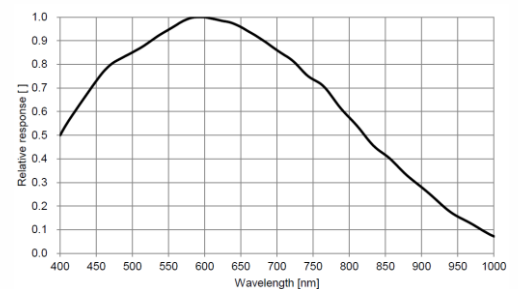
Available Model

- Mono: MV-CS004-11GM
- Color: MV-CS004-11GC

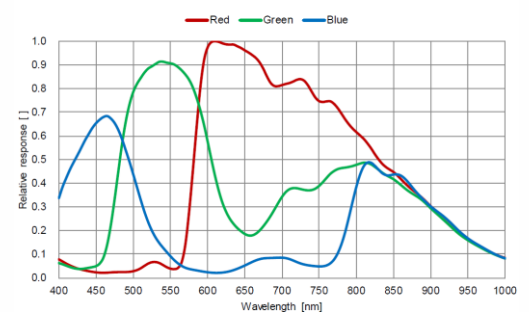
Applicable Industry

Electronic semiconductor, factory automation, food and beverage, medical packaging, etc.

Sensor Quantum Efficiency

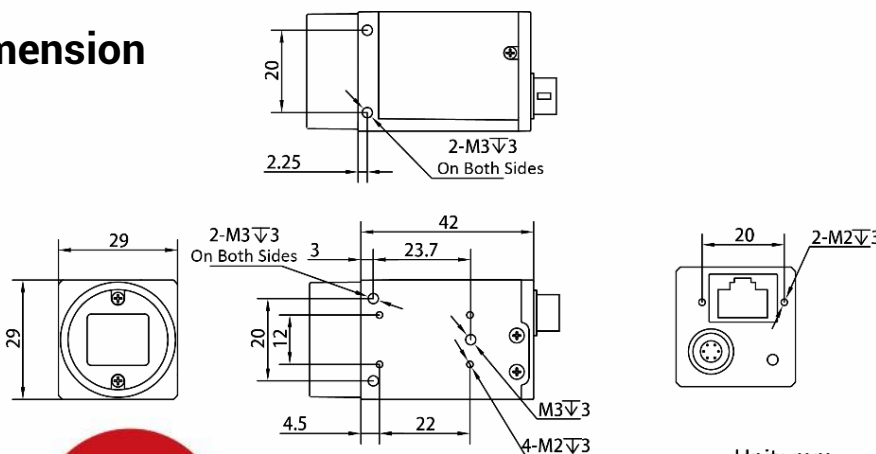


MV-CS004-11GM



MV-CS004-11GC

Dimension



Unit: mm



Specification

Model	MV-CS004-11GM	MV-CS004-11GC
Camera		
Sensor type	CMOS, global shutter	
Sensor model	Sony® IMX287	
Pixel size	6.9 μm × 6.9 μm	
Sensor size	1/2.9"	
Resolution	720 × 540	
Max. frame rate	312.9 fps @720 × 540 Mono 8	312.9 fps @720 × 540 Bayer RG 8
Dynamic range	73.6 dB	
SNR	43 dB	
Gain	0 dB to 24 dB	
Exposure time	1 μs to 10 sec	
Exposure mode	Off/Once/Continuous exposure mode	
Mono/color	Mono	Color
Pixel format	Mono 8/10/10Packed/12/12Packed	Mono 8/10/12, Bayer RG 8/10/10Packed/12/12Packed, YUV422Packed, YUV422_YUYV_Packed RGB 8, BGR 8
Binning	Supports 1 × 1, 2 × 2, 4 × 4	
Decimation	Supports 1 × 1, 2 × 2	
Reverse image	Supports horizontal and vertical reverse image output	
Electrical features		
Data interface	Gigabit Ethernet, compatible with Fast Ethernet	
Digital I/O	6-pin P7 connector provides power and I/O, including opto-isolated input × 1 (Line 0), opto-isolated output × 1 (Line 1), bi-directional non-isolated I/O × 1 (Line 2).	
Power supply	9 VDC to 24 VDC, supports PoE	
Power consumption	Typ. 2.2 W@12 VDC	Typ. 2.4 W@12 VDC
Mechanical		
Lens mount	C-mount	
Dimension	29 mm × 29 mm × 42 mm (1.1" × 1.1" × 1.2")	
Weight	Approx. 100 g (0.22 lb.)	
Ingress protection	IP40 (under proper lens installation and wiring)	
Temperature	Working temperature: -30 °C to 60 °C (-22 °F to 140 °F) Storage temperature: -30 °C to 70 °C (-22 °F to 158 °F)	
Humidity	20% to 95% RH, non-condensing	
General		
Client software	MVS or third-party software meeting with GigE Vision Protocol	
Operating system	32/64-bit Windows XP/7/10, 32/64-bit Linux and 64-bit MacOS	
Compatibility	GigE Vision V2.0, GenICam	
Certification	CE, RoHS, KC	

HIKROBOT

Hangzhou Hikrobot Co., Ltd.
en.hikrobotics.com

© Hangzhou Hikrobot Co., Ltd. All Rights Reserved.

Hangzhou Hikrobot does not tolerate any infringement. Any organization or individual may not imitate or reproduce in whole or in part of the content. The data herein is based on Hikrobot's internal evaluation. Actual data may vary depending on specific configuration and operating condition. The information herein is subject to change without notice. All the content has been checked conscientiously. Nevertheless, Hikrobot shall not be liable to damages resulting from errors, inconsistencies or omissions.